

Calmar Pannan V65

Boiler for wood burning



Suction fan



The suction fan is easily accessible from the backside for sweeping and service.

High-efficient cinder bed



V65 has a fire place of 150 litres allowing 0.5 m log length. Thus it creates effective and longlasting heat with few replenishments.

Mounting opening for pellet burner



V65 is also available in a version with opening on right or left side for fitting a pellet burner. Most pellet burners on the market can be installed.

Complete kit combinations for wood heating



V65 is designed for connection to an accumulator tank with a recommended volume of 2000-4000 litres. Contact your dealer for more information.

- Boiler for wood burning 55-80 kW
- 90 % efficiency
- 0.5 m log length
- 150 l fire place
- To be used with an accumulating tank of 2000-4000 litres

MADE IN SWEDEN

Tested and approved
in accordance
with EN303-5

Sveriges Provnings- och Forskningsinstitut

Efficient wood heating



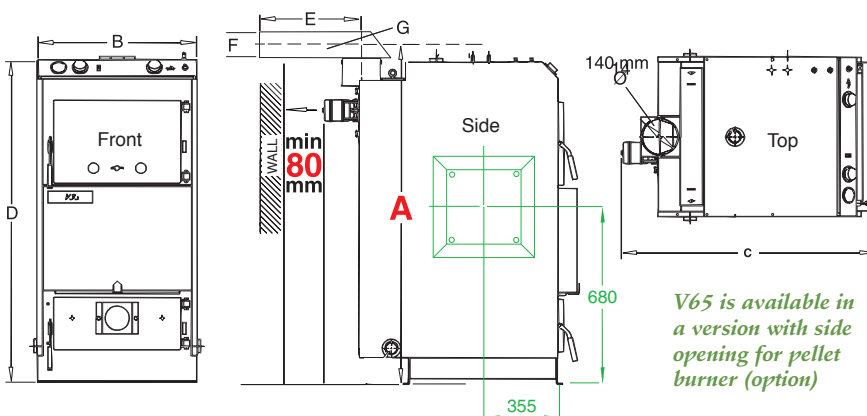
Three-stage combustion for optimal heating result and minimal environmental effect

Calmar Pannan V65 is a Swedish-made boiler, designed in accordance with European environmental requirements. All heating surfaces are made of 5 mm structural steel.

- 1 The logs are evaporized on the ceramic rost in the fire place, from where the exhaust gas is led down to the convection section.
- 2 By means of the secondary air the exhaust gas will reach a nearly complete combustion in the convection section, where the exhaust gas temperature is 900-1000 °C.
- 3 The exhaust gas will then pass through six water-cooled tubes in the rear smoke chamber. The exhaust temperature is 220-230 °C when leaving the boiler.

Technical Data

Dimensions



Dimensions (mm)

| | |
|-------------------------|------|
| Height A incl. pipe c/c | 1588 |
| Height D boiler | 1538 |
| Width B | 602 |
| Depth C | 1026 |
| Length E smoke pipe c/c | 500 |
| Height F smoke pipe | 100 |
| Width G smoke pipe | 168 |
| Expansion connection DN | 40 |
| Hot water return DN | 40 |
| Cooling coil | 12 |

Technical data

| | |
|---|-----------|
| Output, kW | 55-80 |
| Water volume, litres | 150 |
| Fireplace height, mm | 700 |
| Fireplace width, mm | 390 |
| Fireplace depth, mm | 550 |
| Fireplace volume, litres | 150 |
| Log length, m | 0.5 |
| Chimney recommendation, mm water column | 1.5 - 2.5 |
| Weight, kg | 360 |
| Art.no. | 611 5371 |

Chimney recommendations

The boiler has to be trimmed to achieve optimized efficiency. The exhaust gas temperature must match the chimney in order to avoid condensation problems. Contact your local chimney-sweep for advice. A draught limiting device can be installed if needed. The max. load for the V65 boiler is 500 kg, which has to be considered when the chimney is top-mounted.

The boiler should be connected to an accumulator tank with a min. volume of 2000 litres. The recommended max. volume is 4000 litres.

Dealer