

Calmar Pannan V33

Boiler for wood burning



Suction fan



The suction fan is easily accessible from the backside for sweeping and service.

High-efficient cinder bed



V33 has a fire place of 120 litres allowing 0.5 m log length. Thus it creates effective and longlasting heat with few replenishments.

Mounting opening for pellet burner



V33 is also available in a version with opening on right or left side for fitting a pellet burner. Most pellet burners on the market can be installed.

Complete kit combinations for wood heating



V33 is designed for connection to an accumulator tank with a recommended volume of 1500-2000 litres. Contact your dealer for more information.

- Boiler for wood burning 30-40 kW
- 90 % efficiency
- 0.5 m log length
- 120 l fire place
- To be used with an accumulating tank of 1500-2000 litres



**Tested and approved
in accordance
with EN303-5**

Efficient wood heating



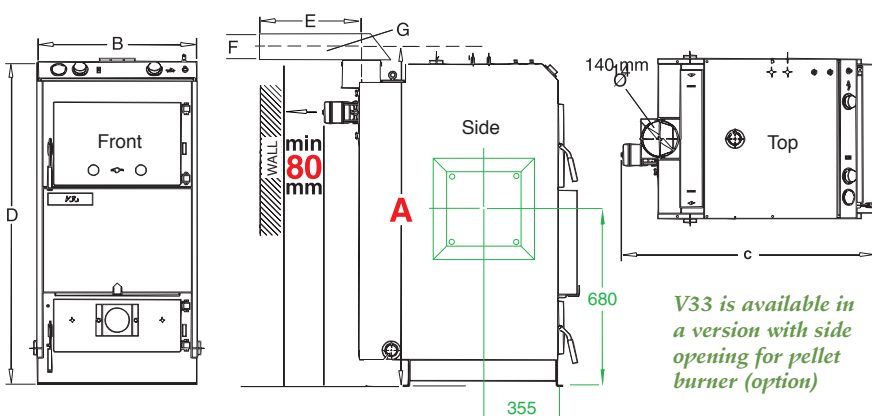
Three-stage combustion for optimal heating result and minimal environmental effect

Calmar Pannan V33 is a Swedish-made boiler, designed in accordance with European environmental requirements. All heating surfaces are made of 5 mm structural steel.

- 1 The logs are vaporized on the ceramic roaster in the fire place, from where the exhaust gas is led down to the convection section.
- 2 By means of the secondary air the exhaust gas will reach a nearly complete combustion in the convection section, where the exhaust gas temperature is 900-1000 °C.
- 3 The exhaust gas will then pass through six water-cooled tubes in the rear smoke chamber. The exhaust temperature is 220-230 °C when leaving the boiler.

Technical Data

Dimensions



Dimensions (mm)

Height A incl. pipe c/c	1275
Height D boiler	1225
Width B	602
Depth C	960
Length E smoke pipe c/c	500
Height F smoke pipe	100
Width G smoke pipe	168
Expansion connection DN	32
Hot water return DN	32
Cooling coil	12

Technical data

Output, kW	30-40
Water volume, litres	90
Fireplace height, mm	560
Fireplace width, mm	390
Fireplace depth, mm	550
Fireplace volume, litres	120
Log length, m	0.5
Chimney recommendation, mm water column	0.7 - 1.5
Weight, kg	320
Art.no.	611 5347

Chimney recommendations

The boiler has to be trimmed to achieve optimized efficiency. The exhaust gas temperature must match the chimney in order to avoid condensation problems. Contact your local chimney-sweep for advice. A draught limiting device can be installed if needed. The max. load for the V33 boiler is 250 kg, which has to be considered when the chimney is top-mounted.

The boiler should be connected to an accumulator tank with a min. volume of 1500 litres. The recommended max. volume is 2000 litres.