

Calmar Pannan V65

Boiler for wood burning



Suction fan



The suction fan is easily accessible from the backside for sweeping and service.

High-efficient cinder bed



V65 has a fire place of 150 litres allowing 0.5 m log length. Thus it creates effective and longlasting heat with few replenishments.

Mounting opening for pellet burner



V65 is also available in a version with opening on right or left side for fitting a pellet burner. Most pellet burners on the market can be installed.

Complete kit combinations for wood heating



V65 is designed for connection to an accumulator tank with a recommended volume of 2000-4000 litres. Contact your dealer for more information.

- Boiler for wood burning 55-80 kW
- 90 % efficiency
- 0.5 m log length
- 150 l fire place
- To be used with an accumulating tank of 2000-4000 litres

MADE IN SWEDEN

Tested and approved
in accordance
with EN303-5

Sveriges Provnings- och Forskningsinstitut

Efficient wood heating



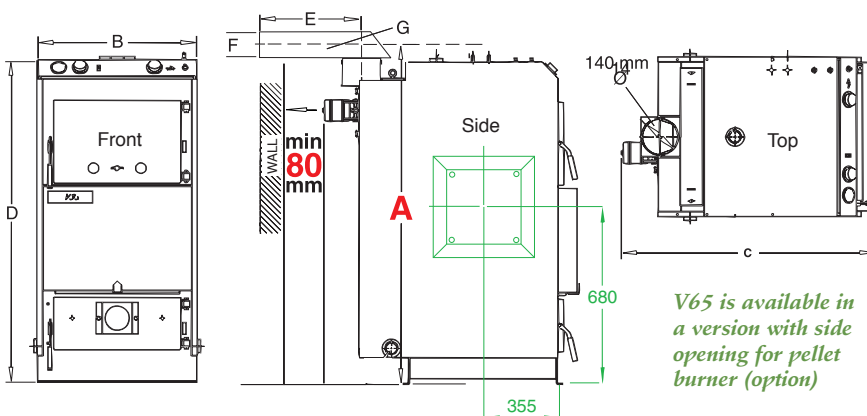
Three-stage combustion for optimal heating result and minimal environmental effect

Calmar Pannan V65 is a Swedish-made boiler, designed in accordance with European environmental requirements. All heating surfaces are made of 5 mm structural steel.

- 1 The logs are evaporized on the ceramic rost in the fire place, from where the exhaust gas is led down to the convection section.
- 2 By means of the secondary air the exhaust gas will reach a nearly complete combustion in the convection section, where the exhaust gas temperature is 900-1000 °C.
- 3 The exhaust gas will then pass through six water-cooled tubes in the rear smoke chamber. The exhaust temperature is 220-230 °C when leaving the boiler.

Technical Data

Dimensions



Dimensions (mm)

Height A incl. pipe c/c	1588
Height D boiler	1538
Width B	602
Depth C	1026
Length E smoke pipe c/c	500
Height F smoke pipe	100
Width G smoke pipe	168
Expansion connection DN	40
Hot water return DN	40
Cooling coil	12

Technical data

Output, kW	55-80
Water volume, litres	150
Fireplace height, mm	700
Fireplace width, mm	390
Fireplace depth, mm	550
Fireplace volume, litres	150
Log length, m	0.5
Chimney recommendation, mm water column	1.5 - 2.5
Weight, kg	360
Art.no.	611 5371

Chimney recommendations

The boiler has to be trimmed to achieve optimized efficiency. The exhaust gas temperature must match the chimney in order to avoid condensation problems. Contact your local chimney-sweep for advice. A draught limiting device can be installed if needed. The max. load for the V65 boiler is 500 kg, which has to be considered when the chimney is top-mounted.

The boiler should be connected to an accumulator tank with a min. volume of 2000 litres. The recommended max. volume is 4000 litres.

Dealer